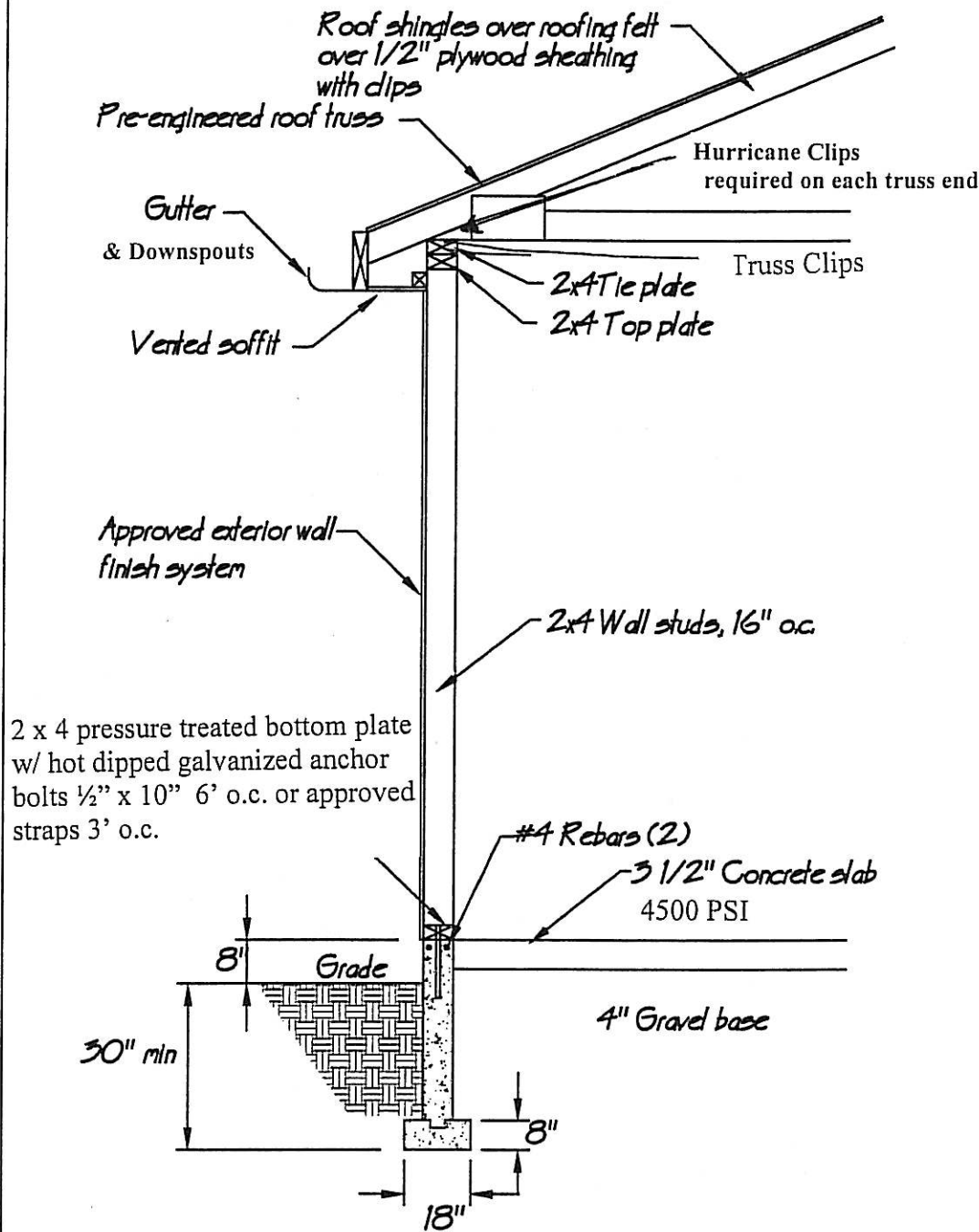


BUTLER COUNTY DEPT. OF BUILDING & ZONING  
 BUILDING STANDARDS

WALL SECTION  
 ATTACHED GARAGE



10/97

This drawing is for illustration purposes only, modifications may be required to be in compliance with the building code.